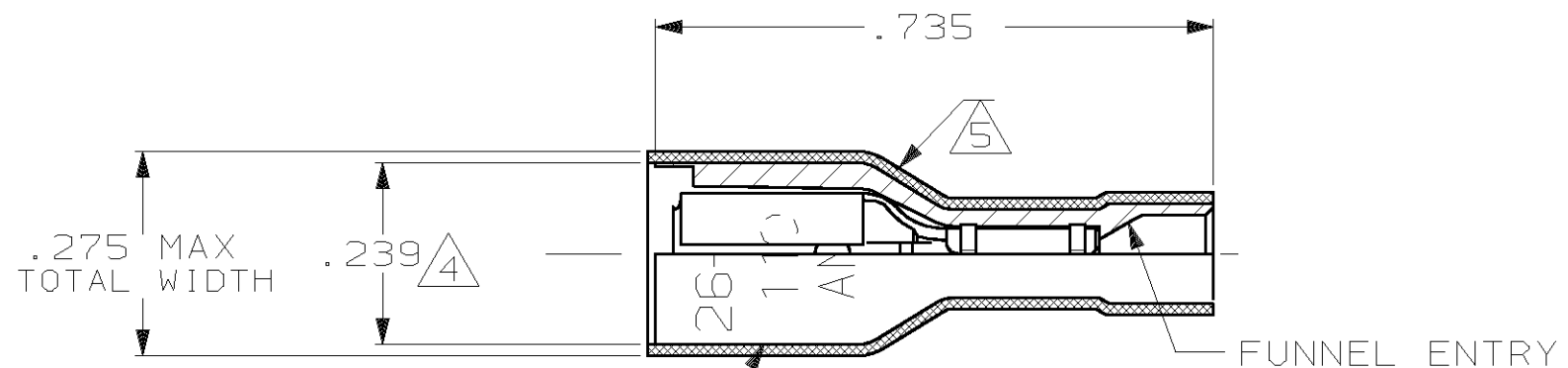


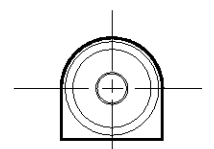
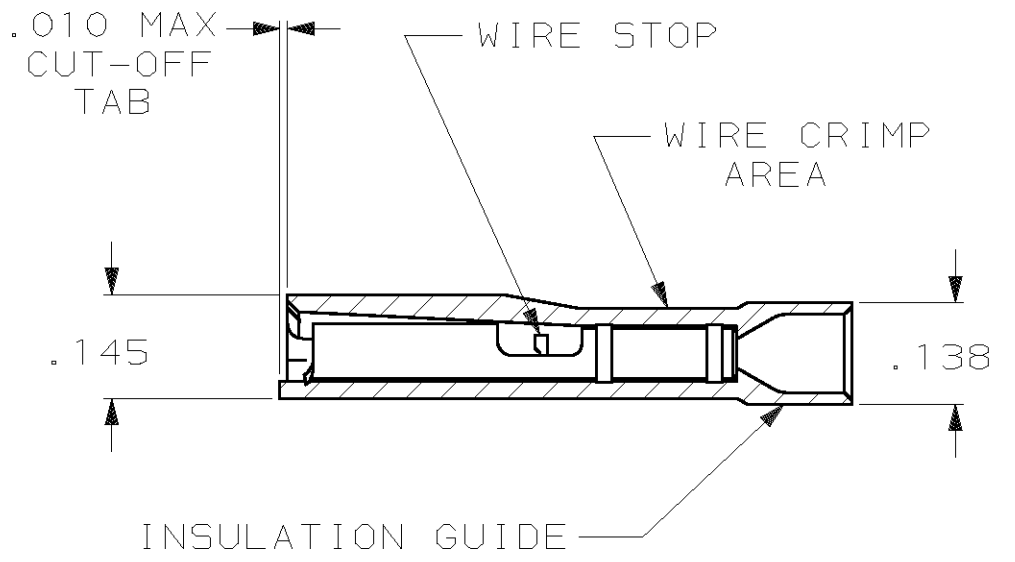
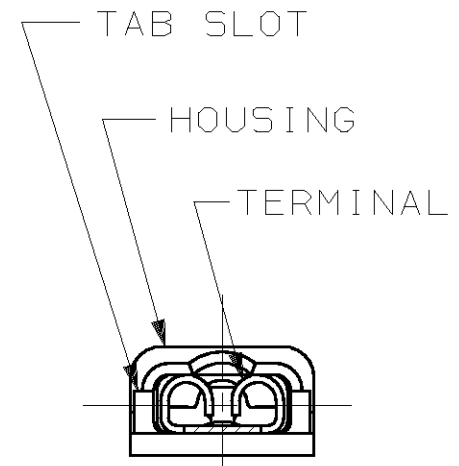
THIS DRAWING IS UNPUBLISHED. RELEASED FOR PUBLICATION, 19
 © COPYRIGHT 19 BY AMP INCORPORATED. ALL INTERNATIONAL RIGHTS RESERVED.

LOC AF	DIST 50	P	F	REVISIONS			DATE	APPD
				ZONE	LTR	DESCRIPTION		
					K	REV PER 0G1A-0147-99	3JUN99	JR/JH



- 1 MATES WITH .020±.001 X .110 OR .125 TAB.
- 2 WIRE STRIP LENGTH .281
- 3 INSULATION SIZE .100 MAX DIA
- △4 DIMENSION DOES NOT INCLUDE TRIM BURR
- △5 .015 MAX CARRIER TRIM BURR PER SIDE IS ALLOWABLE IN THE SHADED AREA

WIRE AND RECEPTACLE SIZE IDENTIFICATION { 26-22, 110 AMP



HOUSING: NYLON, COLOR-VIOLET TINT		7-520366-2	
RECEPTACLE: #3 HARD BRASS, TIN .000080 MIN			
MATERIAL & FINISH			PART NO
DO NOT SCALE PRINT. UNLESS SPECIFIED DIMENSIONS IN INCHES TOLERANCES ON: 2 PLC DEC ± - 3 PLC DEC ± .015 ANGLES ± -	DR 11/14/88 P FORTNEY	AMP INCORPORATED Harrisburg, Pa. 17105	
	CHK 11/15/88 MS FEHER		
	APPD 11/15/88 K RANDOLPH	NAME	
	APPD 11/15/88 TL SHUTTER	RECEPTACLE ASSY, ULTRA-FAST, LOOSE PIECE, .110/.125 SERIES, 26-22 AWG	
MATERIAL SEE TABLE	PRODUCT SPEC 108-2043	SIZE B	FSCM NO 00779
FINISH SEE TABLE	APPLICATION SPEC 114-2123	DRAWING NO 520366	
WEIGHT -	SCALE 4:1	SHEET 1 OF 1	